



Complete air-to-vacuum instrumentation connectivity

### Features

- USB 2.0 Series A Receptacle
- UHV compatible materials
- Interfaces conform to Universal Serial Bus Specification Revision 2.0
- Vacuum Side Cable available
- Custom feedthrough configurations available upon request
- UHV Temperature rated bakeout to 200°C and continuous use at 160°C

### Specifications

#### Current

#### Material

Shell	Stainless steel
Pins	Be-Cu alloy, gold plated
Insulation / Seal	Ceramic/30% glass filled Polybutylene Terephthalate
<b>Vacuum Range</b> UHV / HV	$1 \times 10^{-10}$ Torr / $1 \times 10^{-8}$ Torr

#### Temperature Range <sup>1</sup>

Del-Seal™ Mounted Feedthrough	-200°C to 160°C
Kwik-Flange™ Mounted Feedthrough	-20°C to 150°C
Vacuum Side Connector	-200°C to 250°C

Dimensions Reference only, subject to change

<sup>1</sup> Overall assembly ratings must be adjusted to that of the lowest rated component.

### ULTRAHIGH & HIGH VACUUM SERIES

New  
Multipin

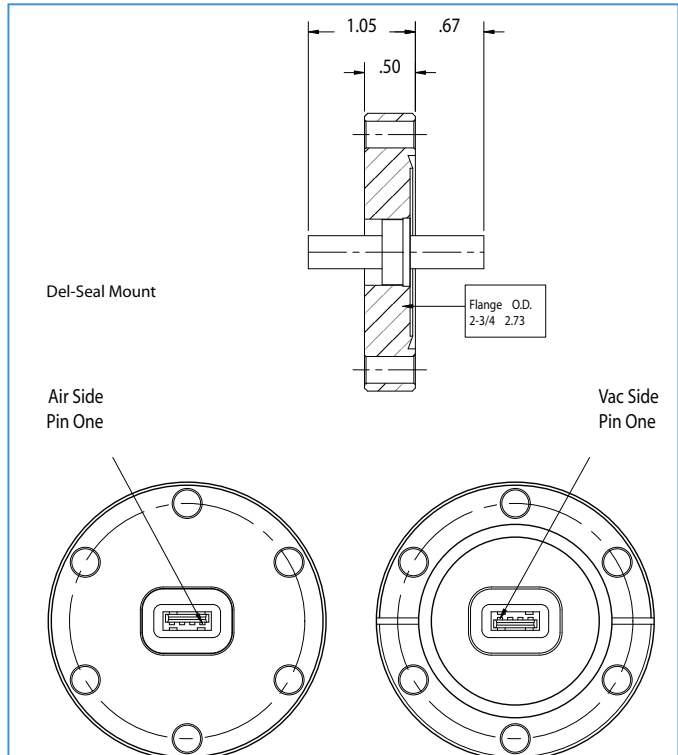


Figure 1  
End Views - Air & Vacuum Side

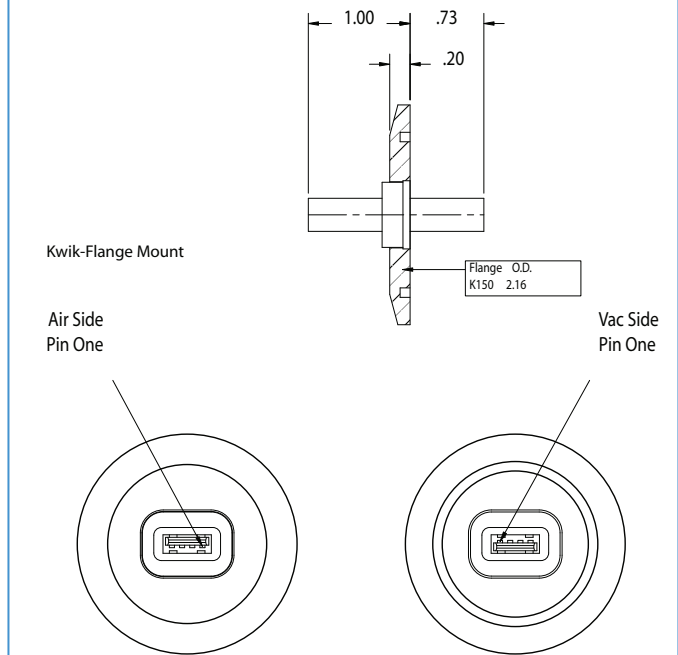


Figure 2  
End Views - Air & Vacuum Side



New

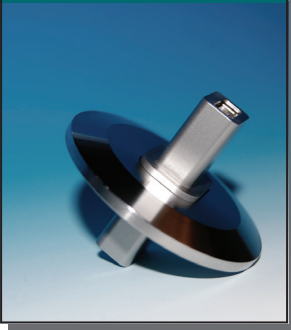
Multipin

### Del-Seal™ CF



NO. PINS	CF FLANGE	DESCRIPTION	DRAWING REFERENCE	PART NUMBER	PRICE \$
4	2.73 DS	FLANGE MOUNTED USB FEEDTHROUGH	1087801	9172001	685

### Kwik-Flange™ KF



NO. PINS	KF FLANGE	DESCRIPTION	DRAWING REFERENCE	PART NUMBER	PRICE \$
4	K150	FLANGE MOUNTED USB FEEDTHROUGH	1187901	9173001	685

### Accessories



ACC. TYPE	WIRES/LENGTH	SECTION REF.	DRAWING REFERENCE	PART NUMBER	PRICE \$
VACUUM SIDE CABLE ASSY	4 / 39	9.1	1188001	9921039	315

ACC.	DESCRIPTION	DRAWING REFERENCE	PART NUMBER	PRICE \$
2.73 DS	INSTALL KIT	1116501	9912452	20
K150	INSTALL KIT	1117901	9913420	18