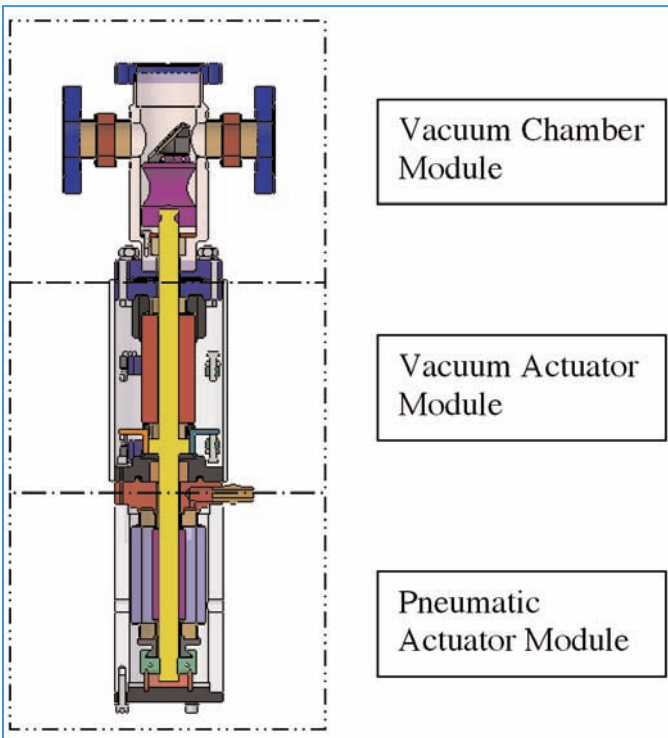


INTRODUCING THE NEW Optical Transition Radiation Profile Monitor

The Optical Transition Radiation Profile Monitor was designed and manufactured by MDC Vacuum Products, LLC in collaboration with the Stanford linear Acceleration Center for use at the LCLS. This component is a metal sealed linear actuator being used as a beam diagnostics device in the LCLS beamline at SLAC.

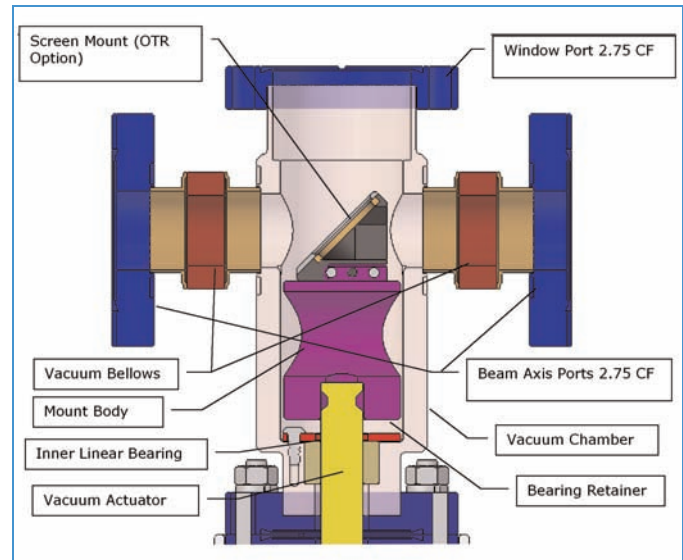


OTR Modules

Injector Profile Monitor

Features

- Operating Pressure 5.0 X 10E-09 torr
- Assembly Bake Temperature 150°C
- Travel Range 25.0mm +2 mm-0 mm
- Position Precision 20 μm (tol = 10 μm)
- Position Repeatability 10 μm (tol = 5 μm)
- Actuation Time 5s (tol = ±1s)
- Assembly Natural Frequency > 1 kHz
- Pneumatic Actuator Design Lifetime 50,000 cycles
- Mean Time Between Failure (MTBF) 5 years
- Design Lifetime Radiation Dosage1 0 Mrad



Vacuum Chamber Module

For additional details regarding MDC's new Optical Transition Radiation Profile Monitor, please contact-

Tom Bogdan
 Director of Technical Sales
 MDC Vacuum Products, LLC
 Ph: (direct) 510-265-3531
 Fax: 510-887-0626
 Cell: 925-209-6041
 e-mail: tbogdan@mdcvacuum.com