

Complete air-to-vacuum instrumentation connectivity

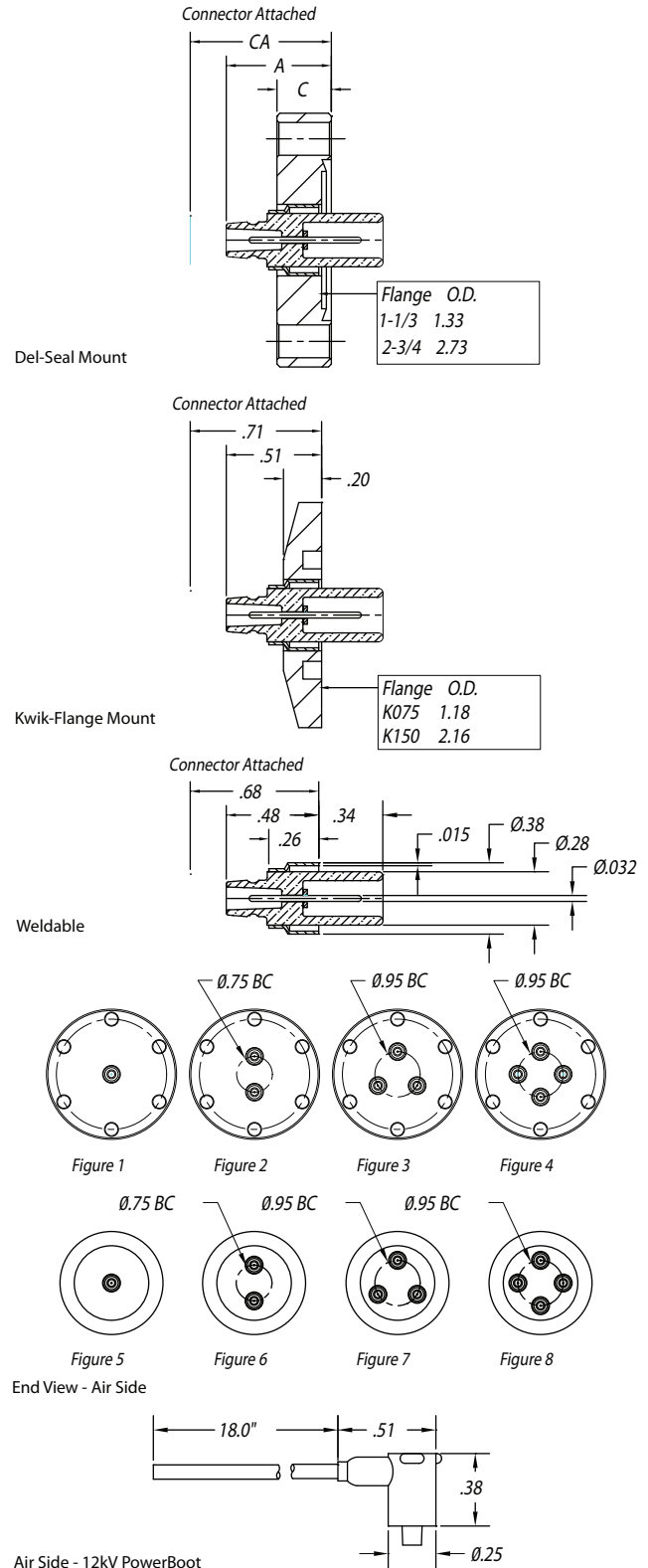
### Features

- UHV compatible materials
- Ultra compact HV design
- Multiple feedthroughs on a flange
- Air exclusion boot connector
- Air side connector available
- Custom configurations available upon request

### Specifications

|                                  |                 |
|----------------------------------|-----------------|
| <b>Voltage</b>                   | 12 kV           |
| <b>Current</b>                   | 3 amps          |
| <b>Material</b>                  |                 |
| Shell                            | Stainless steel |
| Pins                             | Molybdenum      |
| Insulation / Seal                | Alumina ceramic |
| <b>Temperature Range</b>         |                 |
| Del-Seal™ Mounted Feedthrough    | -200C to 450C   |
| Kwik-Flange™ Mounted Feedthrough | -20C-150C       |
| Air Side Connector               | -50C-105C       |

### ULTRAHIGH & HIGH VACUUM SERIES



New Power



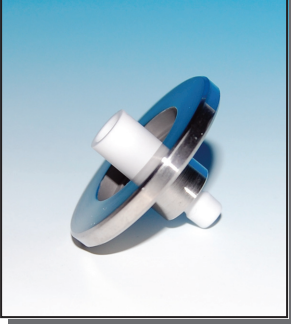
### Del-Seal™ CF



| NO. PINS | CF FLANGE | FIG. | DIM A | DIM C | DIM CA | DRAWING REFERENCE | PART NUMBER | PRICE \$ |
|----------|-----------|------|-------|-------|--------|-------------------|-------------|----------|
| 1        | 1.33 DS   | 1    | .57   | .28   | .76    | 1196401           | 9472000     | 125      |
| 1        | 2.73 DS   | 1    | .77   | .50   | .96    | 1198901           | 9472001     | 145      |
| 2        | 2.73 DS   | 2    | .77   | .50   | .96    | 1196501           | 9472002     | 235      |
| 3        | 2.73 DS   | 3    | .77   | .50   | .96    | 1196601           | 9472003     | 325      |
| 4        | 2.73 DS   | 4    | .77   | .50   | .96    | 1196701           | 9472004     | 415      |

New  
Power

### Kwik-Flange™ KF



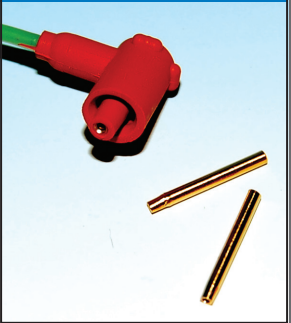
| NO. PINS | KF FLANGE | FIG | DRAWING REFERENCE | PART NUMBER | PRICE \$ |
|----------|-----------|-----|-------------------|-------------|----------|
| 1        | K075      | 5   | 1196801           | 9473000     | 125      |
| 1        | K150      | 5   | 1199001           | 9473001     | 145      |
| 2        | K150      | 6   | 1196901           | 9473002     | 235      |
| 3        | K150      | 7   | 1197001           | 9473003     | 325      |
| 4        | K150      | 8   | 1197101           | 9473004     | 415      |

### Weldable



| NO. PINS | MOUNT DIA. | DRAWING REFERENCE | PART NUMBER | PRICE \$ |
|----------|------------|-------------------|-------------|----------|
| 1        | 3/8 inch   | 1044601           | 9471001     | 85       |

### Accessories



| ACC. TYPE                                      | DRAWING REFERENCE | PART NUMBER | PRICE \$ |
|--|-------------------|-------------|----------|
| VACUUM SIDE POWER-CRIP CONNECTOR, 10 PACK      | 0164301           | 9924000     | 75       |
| AIR SIDE CABLE POWERBOOT CONNECTOR 12kV, 3 AMP | 1049101           | 9924096     | 60       |

| ACC.    | DESCRIPTION | DRAWING REFERENCE | PART NUMBER | PRICE \$ |
|---------|-------------|-------------------|-------------|----------|
| 1.33 DS | INSTALL KIT | 1116301           | 9912450     | 15       |
| 2.73 DS | INSTALL KIT | 1116501           | 9912452     | 20       |
| K075    | INSTALL KIT | 1117701           | 9913400     | 11       |
| K150    | INSTALL KIT | 1117901           | 9913420     | 18       |