

High Power Feedthroughs

## Features

- 7 pin configuration
- For high voltage applications requiring high density pin design
- Industry standard threaded connectors
- Air side connector included
- Custom feedthrough configurations available upon request

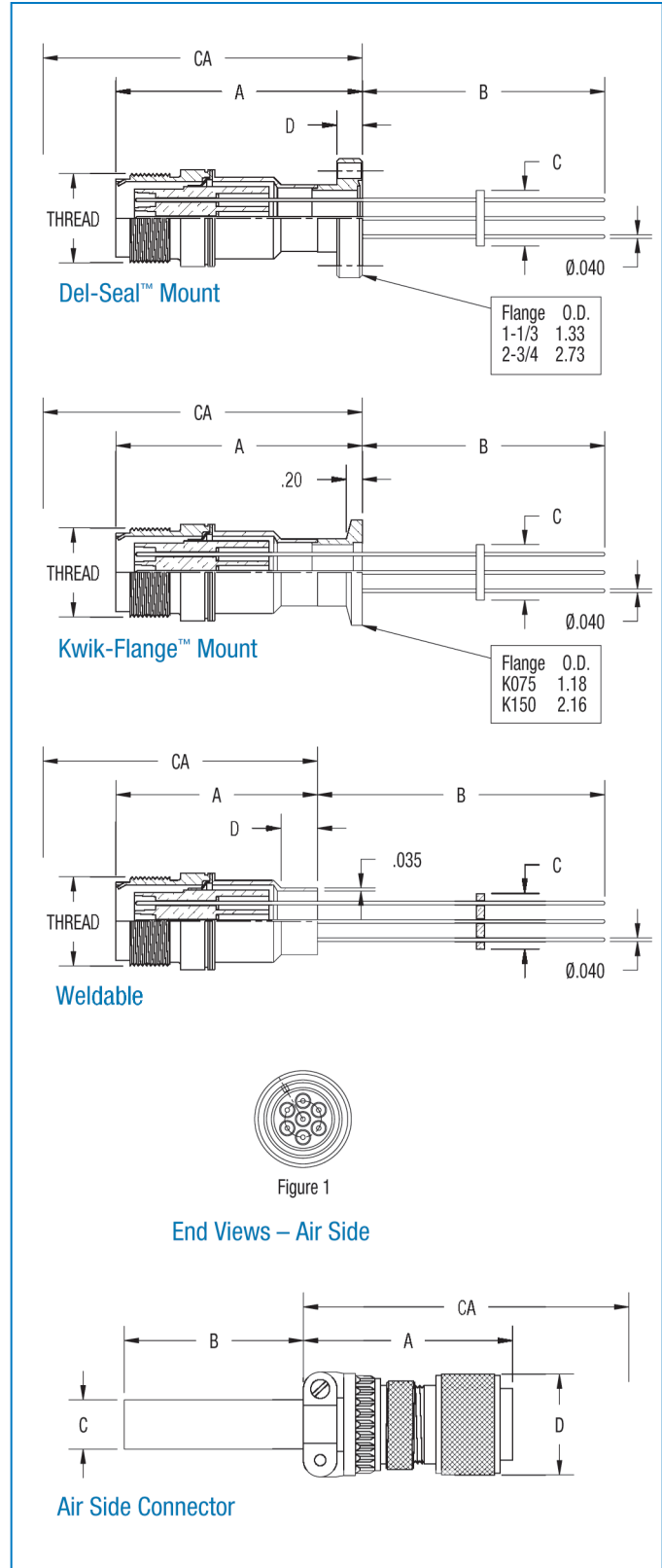
## Specifications

<b>Voltage</b> <sup>1</sup>	12,000 VDC maximum
<b>Current</b>	Amps/Pin
Maximum, all pins loaded:	
7 pin	38 Amps
<b>Material</b>	
Flanges	304 Stainless steel
Adapter	304 Stainless steel
Conductor	Molybdenum
Insulation	Alumina ceramic
<b>Vacuum Range</b> UHV/HV	1x10 <sup>-10</sup> Torr/1x10 <sup>-8</sup> Torr
<b>Temperature Range</b> <sup>2</sup>	
Feedthrough	-100°C to 450°C
Del-Seal™ Mounted Feedthrough	-100°C to 450°C
Kwik-Flange™ Mounted Feedthrough	-20°C to 150°C
Weldable Feedthrough	-100°C to 450°C
Air Side Connector	-55°C to 125°C
<b>Dimensions</b>	Reference only, subject to change

<sup>1</sup> See **INTENDED OPERATING CONDITIONS** in introductory section.

<sup>2</sup> Overall assembly ratings must be adjusted to that of the lowest rated component.

## ULTRAHIGH & HIGH VACUUM SERIES





#### Del-Seal™ CF



NO. PINS	CF FLANGE	END VIEW FIG.	A	B	C	D	THREAD	CA	DRAWING REFERENCE	PART NUMBER	PRICE \$
7	1.33 DS	1	2.75	2.75	.62	.28	1-20	3.91	0866001	9152000	575
7	2.73 DS	1	2.33	3.17	.62	.50	1-20	3.50	0851901	9152001	575

*Air Side Connector included at no extra cost.*

#### Kwik-Flange™ KF



NO. PINS	CF FLANGE	END VIEW FIG.	A	B	C	THREAD	CA	DRAWING REFERENCE	PART NUMBER	PRICE \$
7	K075	1	2.69	2.81	.62	1-20	3.85	0852001	9153000	575
7	K150	1	2.28	3.33	.62	1-20	3.44	0852101	9153001	575
7	K200	1	2.28	3.33	.62	1-20	3.44	0852201	9153002	575

*Air Side Connector included at no extra cost.*

#### Weldable



NO. PINS	CF FLANGE	END VIEW FIG.	A	B	C	D	THREAD	CA	DRAWING REFERENCE	PART NUMBER	PRICE \$
7	3/4 INCH	1	2.25	3.25	.62	.47	1-20	3.41	0865601	9151000	525

*Air Side Connector included at no extra cost.*

#### Accessories



ACC. TYPE	MATERIAL	DIM	SECTION REF.	QTY PKG	DRAWING REFERENCE	PART NUMBER	PRICE \$
INSTALL KIT	CU GASKET/HEX BOLTS	1.33 DS	9.4	1EA	1116301	9912450	15
INSTALL KIT	CU GASKET/HEX BOLTS	2.73 DS	9.4	1EA	1116501	9912452	20
INSTALL KIT	CTR RING/ASSY & CLAMP	K075	9.4	1EA	1117701	9913400	11
INSTALL KIT	CTR RING/ASSY & CLAMP	K150	9.4	1EA	1117901	9913420	18

PKG	MATERIAL	A DIA	DRAWING REFERENCE	PART NUMBER	PRICE \$
10	BeCu	0.032	0164301	9924000	75