

Additional Sizes Available Upon Request

HIGH VACUUM SERIES
150°C Viton® O-Ring Sealed Bonnets

Features

- 2 million Cycles between maintenance
- Singled shaft actuator with bellows sealed feedthrough
- Virtually particle and vibration-free
- Double acting pneumatic actuator with position indicators
- Aluminum body and Gate
- Maintain Status in the event of power failure
- Pneumatically locked in the closed position
- LCD Counter for tracking cycles

Specifications

Material

Body & Gate	Aluminum
Bellows	AM-350 ss
Bolts	300 Series ss
Cycles until first service	> 2 million

Seals

Bonnet	Viton®
Gate	Viton®
Options	Different sealing materials on request

Electropneumatic Actuator

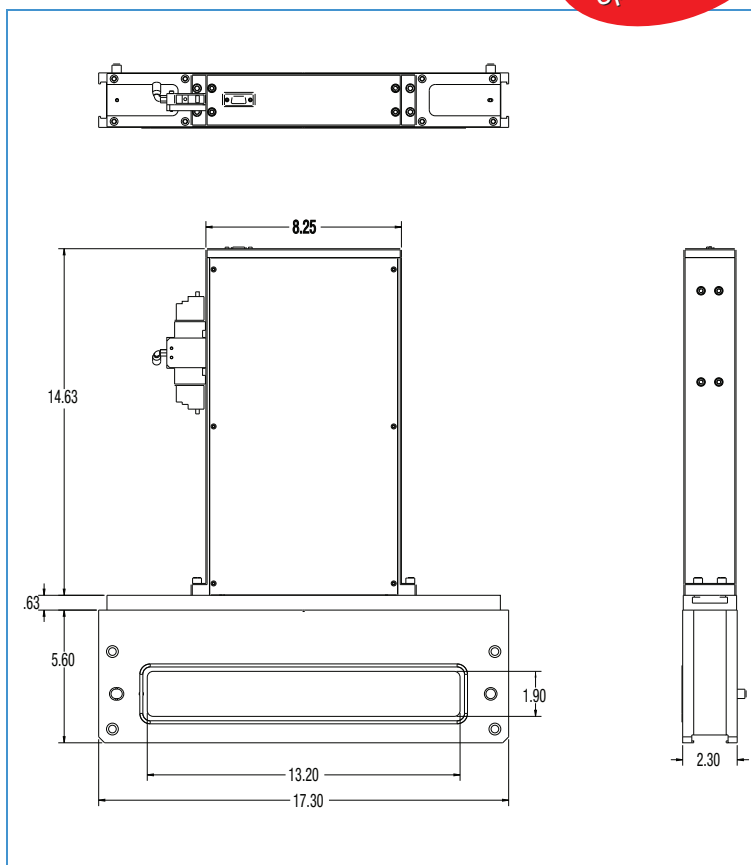
Air Pressure	70 to 100 psig
Air Control Valve	Humphrey 3 position, 4 way solenoid valve
Solenoid Voltage	12 VDC, 24 VDC, 120 VAC, 240 VAC
Power Loss	Valve maintains status
Position Indicators	Solid state, NPN Sensors
Voltage	< 28 V DC
Current	< 50 mA
Power	< 2 W

Closing and opening Time

< 1 sec

Vacuum

Range	Atmosphere to 1x10 ⁻⁸ Torr
Leak Test	2x10 ⁻¹⁰ cc/sec of He



Million Cycle Valves

MC+ 300mm Transfer Valve



Slit Valve Options

- Different opening sizes on request
- Different sealing materials Fluoroelastomers (FKM)
- Surface treatment aluminum hard anodized
- Special versions on request
- Inserts on request

*Different sizes and customer specific features are available upon request.

Million Cycle Valves

Temperature

OPERATING TEMPERATURE OF VALVE	CONFIGURATIONS			
	Valve		Actuator	
	Body	Gate	Position Indicator	Solenoid
< 50° C	Aluminum	Aluminum	Standard	Standard
< 80° C	Aluminum	Aluminum	Without	Without
< 120° C	Aluminum	Aluminum	Without	Without

OPENING SIZE	COMPRESSED AIR PRESSURE MIN-MAX	VOLUME OF AIR CYLINDER	CLOSING/ OPENING TIME	WEIGHT
INCH	PSI	IN ³	s	lbs
1.9 X 13.2	70-100	6.0	<1	33.0
1.3 X 9.3	70-100	6.0	<1	31.5

HIGH VACUUM SERIES

VITON SEAL BONNET 150°C

ACTUATOR	PORT FLANGE	BONNET SEAL	REFERENCE	PART NUMBER	PRICE \$
PNEUMATIC	1.8 x 9.3	VITON	LVHC-200MM	331200	Call
PNEUMATIC	1.9 x 13.2	VITON	LVHC-300MM	331300	Call